

TECHN. DATEN (TECHNICAL DATA):

NENNDRUCK (NOMINAL PRESSURE) P_N 70 MPa (700bar)
 PRÜFDRUCK (TEST PRESSURE) P_p 84 MPa (840bar)
 GEWICHT (WEIGHT) 16,6 kg
 (INKL. 0,3m SCHLÄUCHE U. KUPPLUNGEN; INCL. 0,3m HOSES AND COUPLINGS)
 ÖLBEDARF (REQUIRED OIL VOLUME) 0,11 l

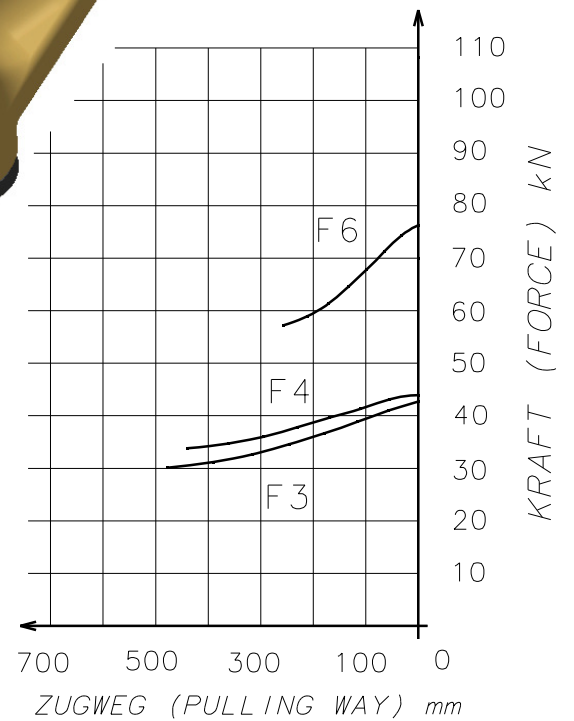
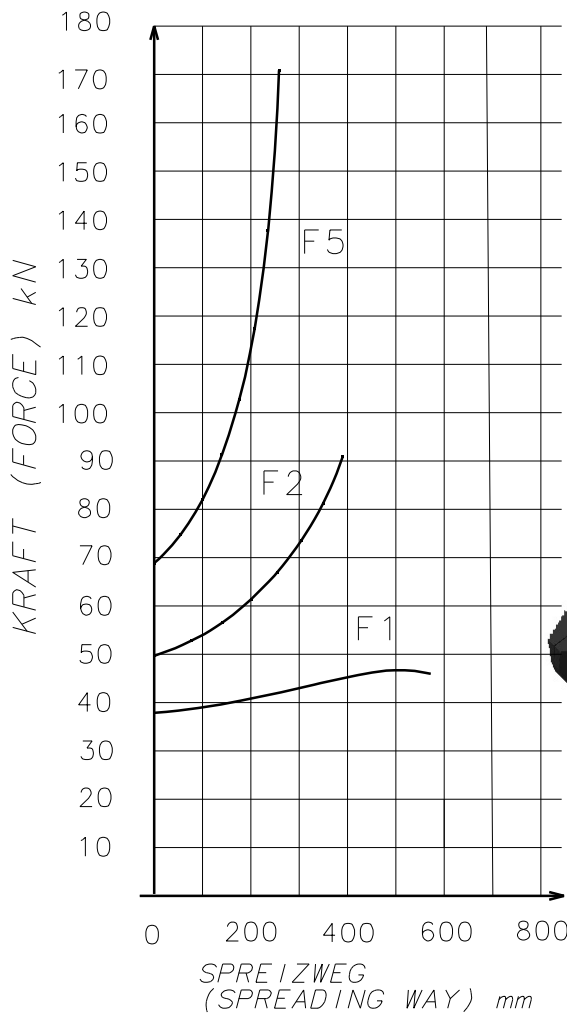
ZUBEHÖR (ACCESSORIES):
 KETTENSATZ (PULLING CHAIN)
 1,80m 571415

STEUERUNG (SAFETY FEATURES)

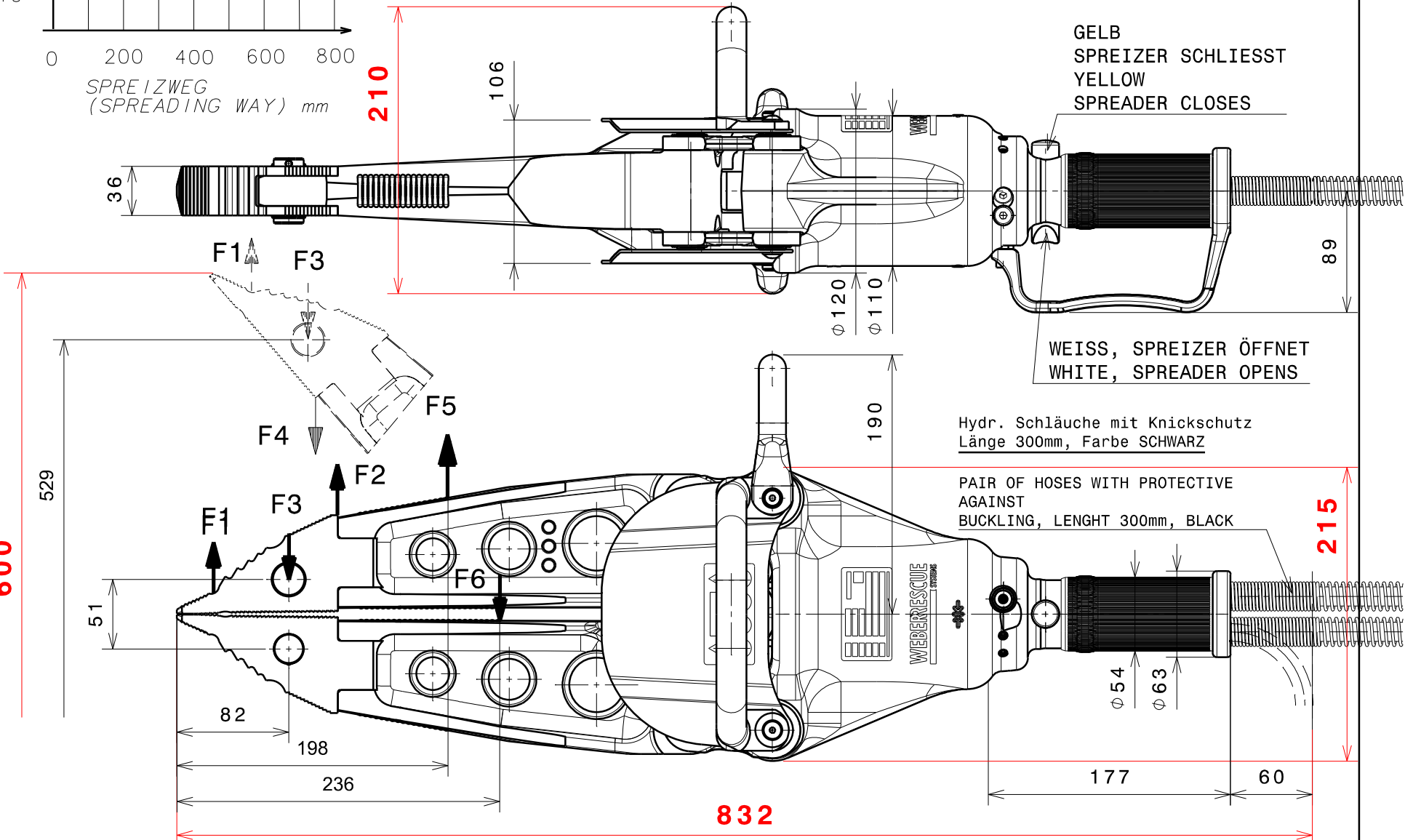
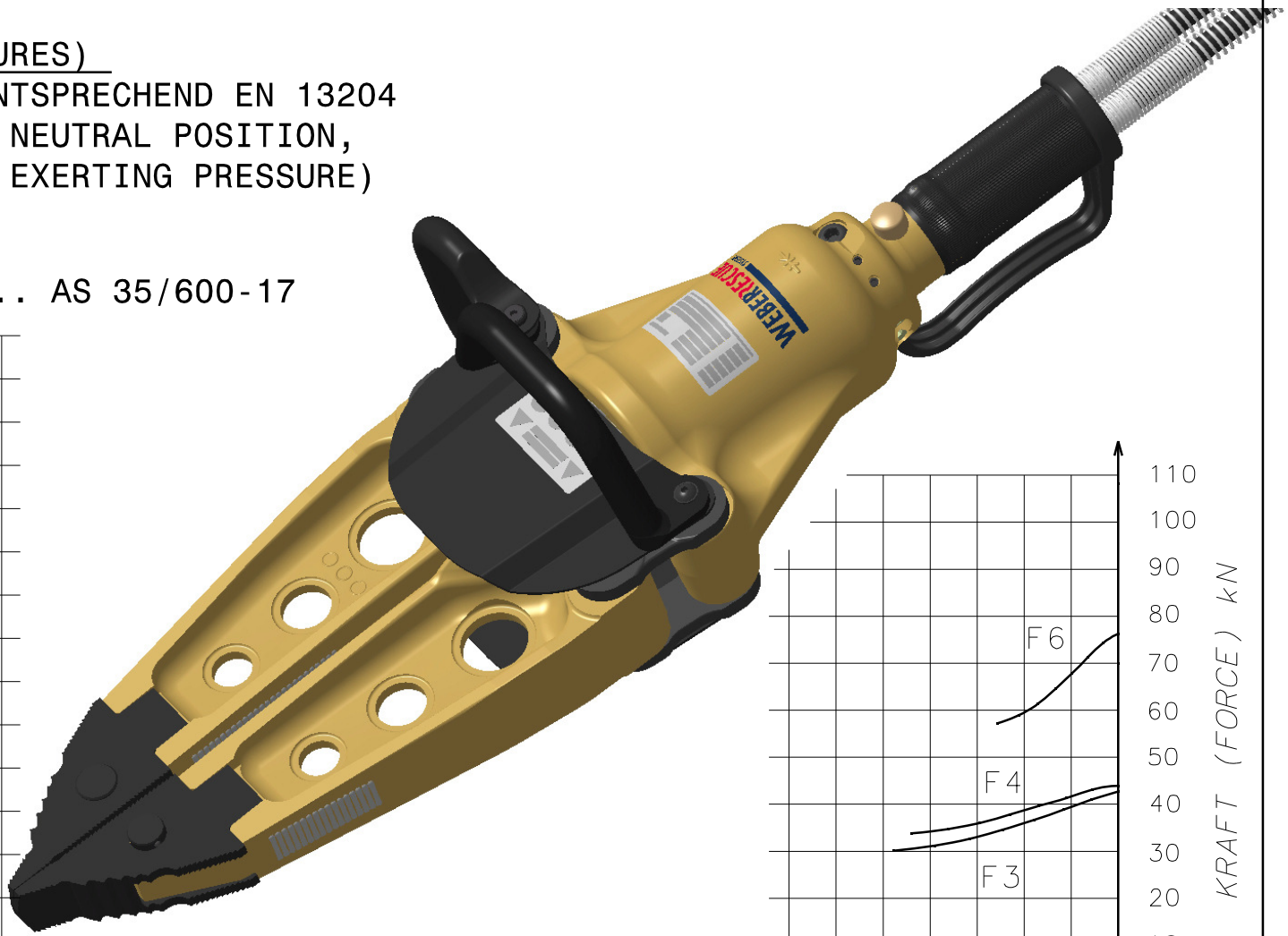
SICHERHEITSSCHALTUNG ENTSPRECHEND EN 13204
 (WHEN CONTROL KNOBS IN NEUTRAL POSITION,
 OIL CIRCULATES WITHOUT EXERTING PRESSURE)

Klasse (CLASS):

EN 13204 (EDITION 03/2005) .. AS 35/600-17



KRÄFTE BEI 70 MPa OHNE WIRKUNGSGRAD
 DIAGRAM AT 70 MPa WITHOUT EFFICIENCY



GEPR. JSC
CHECK.

GEZ. KST
DRAW. DAT. 13.12.11

KST
03.04.12

120264
B

AEND.-NR.
MOD.-NO.
REVISION
REVISION

FREIMASSTOLERANZEN (GENERAL TOLERANCES)	LAENGENMASS (LENGTH)mm	...50	50...250	250...1000	1000...	WINKELMASS (ANGLE)	...180°
	TOLERANZ (TOLERANCE)mm	±1,5	±2,0	±3,0	±5,0	TOLERANZ (TOLERANCE)	±10°