

COMPACT POWER UNIT E 50 S

Part No.
1070365



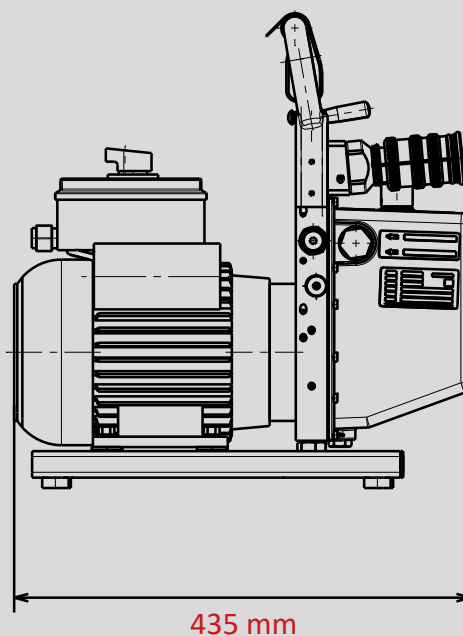
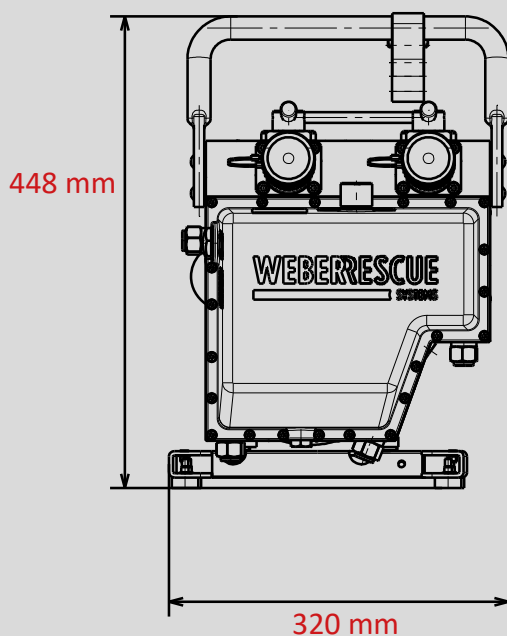
TURBO-SPEED



SINGLE

Technical Data:

Nominal pressure	700 bar
Oil volume	4,0 l
Useable volume	3,15 l
Engine power	1,3 kW
EN Class	ATO/MTO
Weight	33,5 kg
Part no.	1070365



Illustrations are not binding. Subject to technical changes.
Vers.B 2021/11