

COMPACT POWER UNIT E-Compact

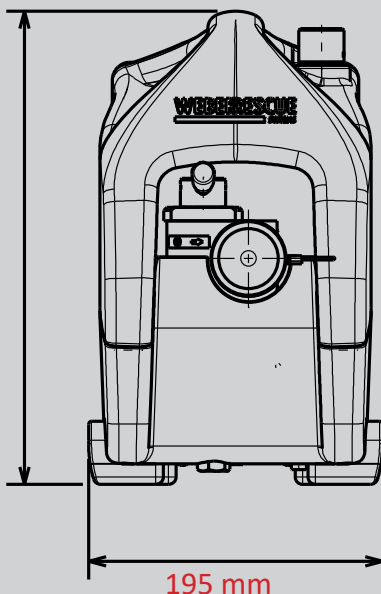
Part No.
1050354



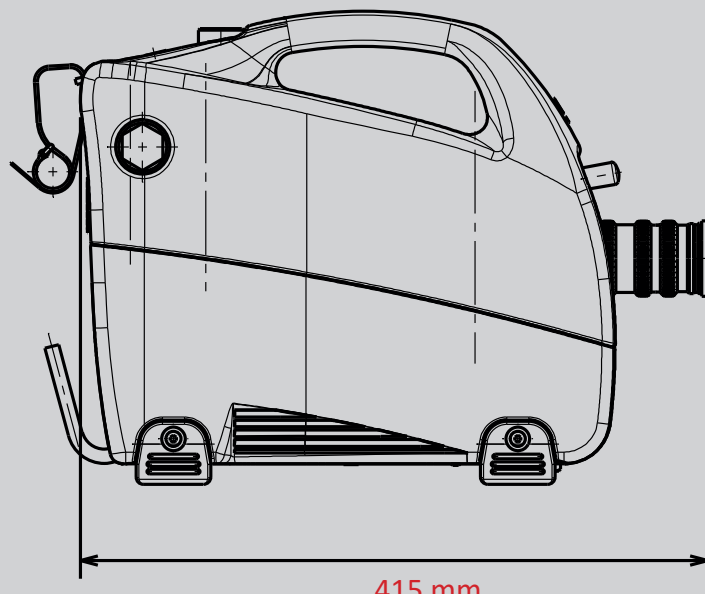
Technical Data:

| | |
|------------------|---------|
| Nominal pressure | 700 bar |
| Oil volume | 2,8 l |
| Useable volume | 2,5 l |
| Engine power | STO |
| EN class | 1,5 kW |
| Weight | 12,2 kg |
| Part no. | 1050354 |

314 mm



195 mm



415 mm