

# Combi tool HANDVARIO RIT-TOOL

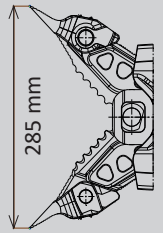
ID number  
1100441

 FORGED

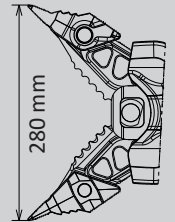
 UNDERWATER



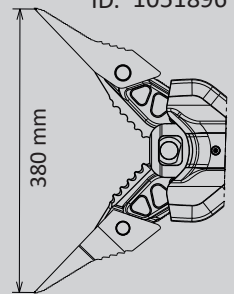
Door opening tip  
ID. 1096859



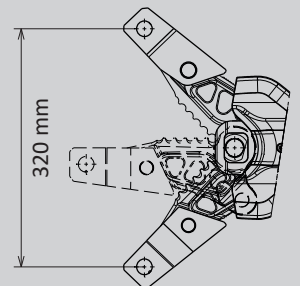
Standard tip  
ID. 1050616



Special tip  
ID. 1051896



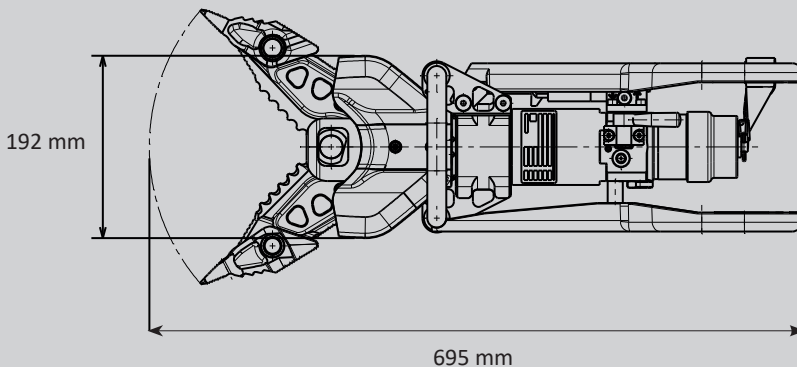
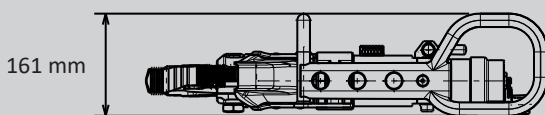
Pulling device  
ID. 2836033



## Technical data

Opening width	215 mm
Spreading width with standard tips	280 mm
Spreading force with standard tips (in the working area)	25 - 1175 KN
EN class (EN 13204)	BK25/280G-11,1
EN cutting class (EN 13204)	1H-2G-3G-4H-5G
NFPA class (NFPA 1936)	A6-B7-C6-D7-E7-F3
Dimension (L x B x H)	695 x 192 x 161 mm
Weight with standard tips	11.1 kg

The Handvario RIT-Tool can also be used under water up to a depth of 25 m.  
The headpiece can be rotated 360° for optimal work.



## WEBER-HYDRAULIK GMBH

Heilbronner Straße 30  
74363 Güglingen, Germany  
Phone +49 7135 71-10270  
info@weber-rescue.com

Emil Weber Platz 1  
4460 Losenstein, Austria  
Phone +43 7255 6237-120

Illustrations are not binding. Subject to technical changes.  
02/2022A