

COMBI TOOL RIT-TOOL

Part no.
1104778




 **FORGED**

 **360° HANDLE**

 **PUSH CONTROL**

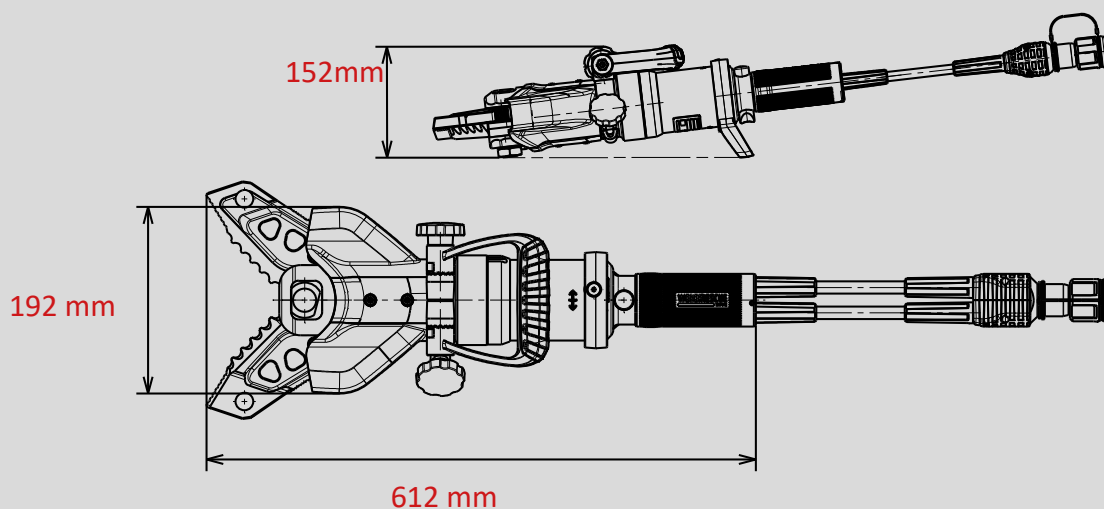
 **SINGLE**

 **ULTIMATE**

 **X-CHANGE**

Technical data:

Opening width	215,00 mm
Weight	9,4 kg
Dimensions (LxWxH)	612x192x152 mm
Nominal pressure	700 bar
EN class (EN 13204)*	AC140H-13,31H-2H-3H-4H-5H
EN cutting class (EN 13204)*	1H-2H-3H-4H-5HA6-B7-C6-D7-E7-F3
NFPA class (NFPA 1936)	A6-B7-C6-D7-E7-F3



WEBER-HYDRAULIK GMBH
Heilbronner Straße 30
74363 Güglingen/Deutschland
Fon +49 7135/71-10270
Fax +49 7135/71-10396
info@weber-rescue.com

Emil Weber Platz 1
4460 Losenstein/Österreich
Fon +43 7255/6237-120
Fax +43 7255/6237-12461
info@weber-rescue.com

Images are non-binding. We reserve the right to technical modifications.
02/2024A