

BATTERY COMBI TOOL SPS 400 MK2 E-FORCE3

E-FORCE3

Part no.
1092611



CHARGE



FORGED



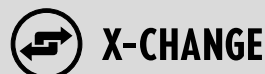
360° HANDLE



SPEED CONTROL



ULTIMATE

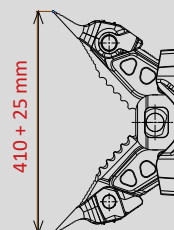


X-CHANGE

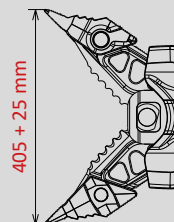
Technical data:

Spreading width	405 mm
Spreading force (in the working area)	35 - 1071 kN
Opening width	343 mm
Pulling width (with adapters)	450 mm
Max. pulling force	58,0 kN
Weight (incl. battery)	21,0 kg
Dimensions (LxWxH)	969 x 236 x 241 mm
Nominal pressure	700 bar
EN classification (EN 13204)*	CK35/405I-21,0
EN cutting class (EN 13204)*	1I-2K-3J-4K-5J
NFPA cutting class (NFPA 1936)	A7-B9-C7-D9-E9-F6

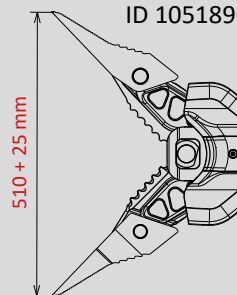
ID 1096859



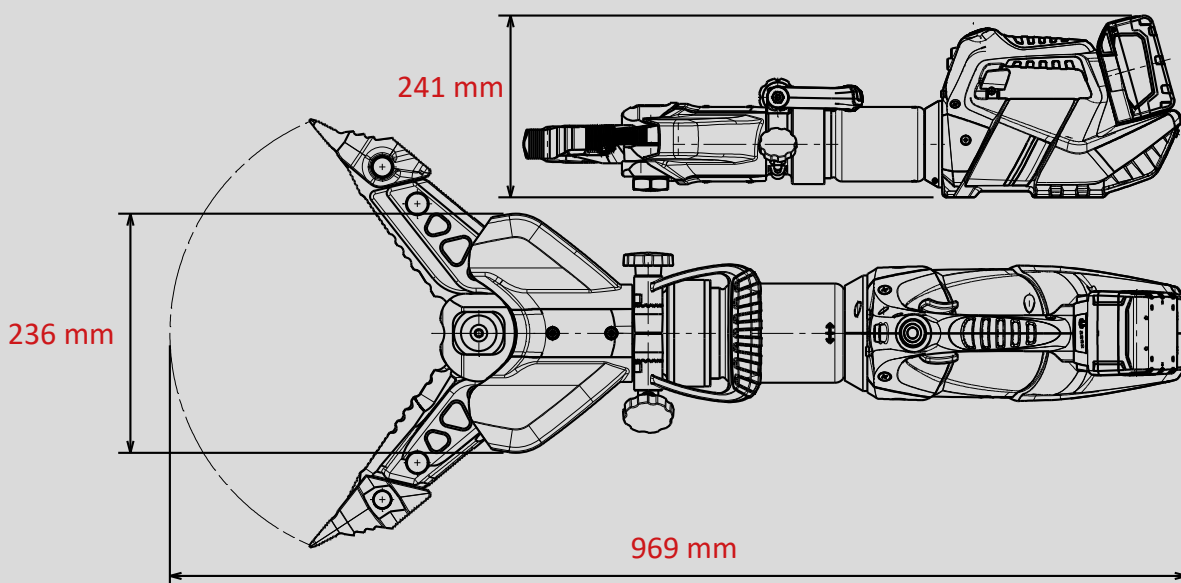
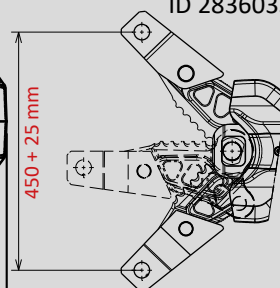
ID 1050616



ID 1051896



ID 2836033



*According to EN 13204. Images are non-binding. We reserve the right to technical modifications.
60004735 (12.01.2022)