

RESCUE CYLINDER RZ 1-1810 CROSSRAMMER

Part no.
1077052



Ⓜ DISTANCE

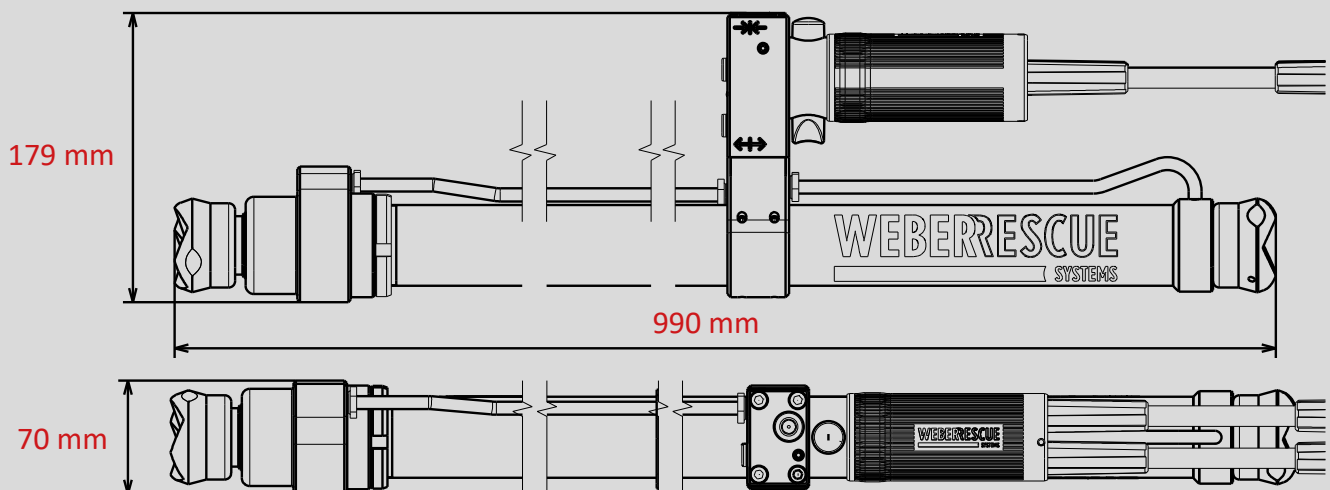
⌌ EXTENDABLE

⚡ PUSH CONTROL

⊗ SINGLE

Technical specifications:

Closed length (retracted)	990 mm
Final length (extended)	1810 mm
Stroke	820 mm
Force	36,4 kN
Pulling force	-
Weight	13,5 kg
Oil demand	0,8 l
Dimensions (LxWxH)	990 x 179 x 70 mm
Nominal pressure	700 bar
EN classification (EN 13204)	-



Images are non-binding. We reserve the right to technical modifications.
60005131 (-, -, ALL, 04.07.2019)