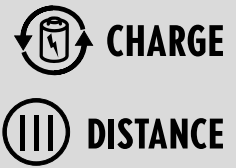


BATTERY RESCUE CYLINDER RZ 1-910 E-FORCE2

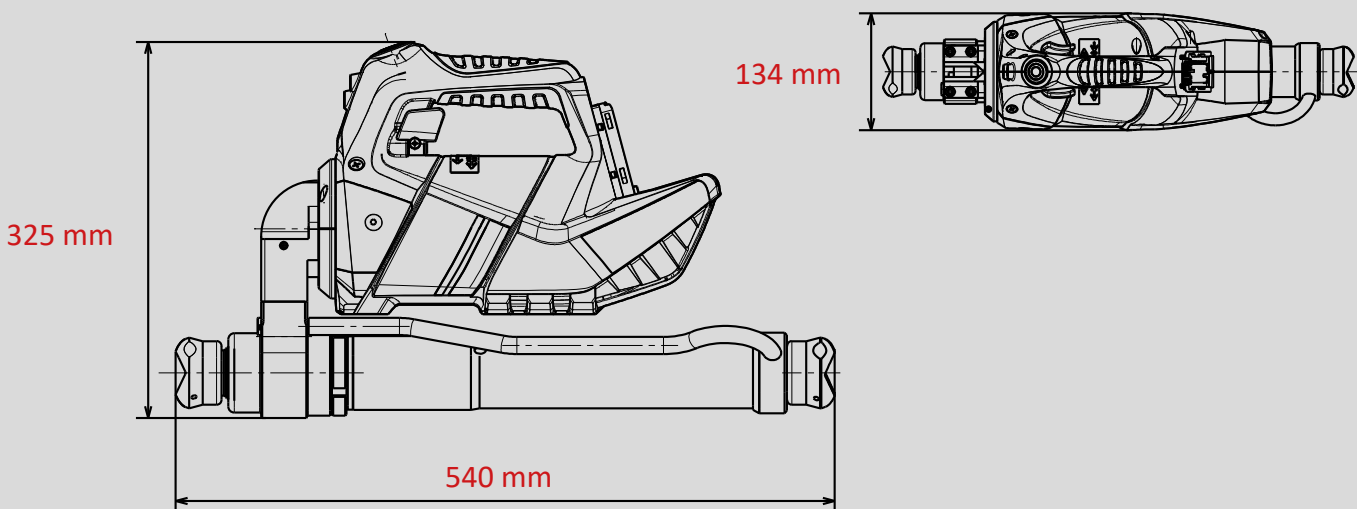
E FORCE 3

Part no.
1075272



Technical specifications:

Closed length (retracted)	540 mm
Final length (extended)	908 mm
Stroke	368 mm
Force	111,0 kN
Weight (ready for use)	15,7 kg
Dimensions (LxWxH)	540 x 134 x 325 mm
Nominal pressure	700 bar
EN classification (EN 13204)*	R111/368-15,7-E-I



* According to EN 13204. Images are non-binding. We reserve the right to technical modifications.
60002782 (200061, D, ALL, 31.01.2020)