

# BATTERY-TELESCOPIC CYLINDER RZT 2-1170 E-FORCE3

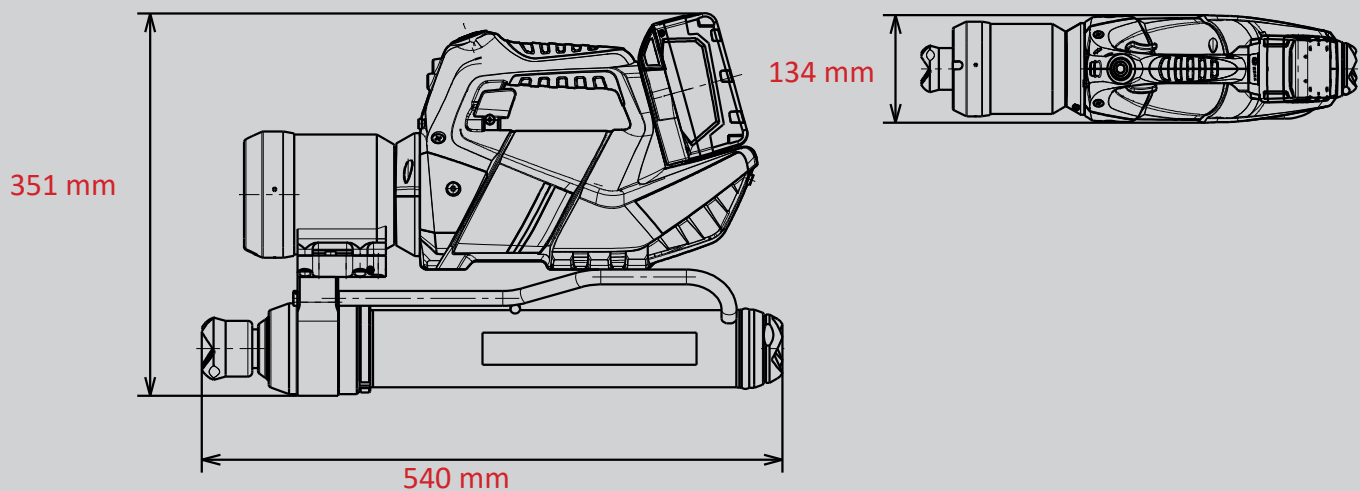
**E**FORCE3

Part no.  
**1094686**



## Technical specifications:

|                                 |                       |
|---------------------------------|-----------------------|
| Closed length (retracted)       | 540 mm                |
| Final length (extended)         | 1170 mm               |
| Stroke stage 1 / stroke stage 2 | 360 / 270 mm          |
| Force stage 1 / stroke stage 2  | 189 / 99 kN           |
| Weight (ready for use)          | 20,9 kg               |
| Dimensions (LxWxH)              | 540 X 134 X 351 mm    |
| Nominal pressure                | 700 bar               |
| EN classification (EN 13204)*   | TR189/360-99/270-20,9 |



\*According to EN 13204. Images are non-binding. We reserve the right to technical modifications.  
10/2023A