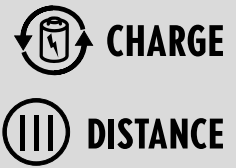


# BATTERY-TELESCOPIC CYLINDER RZT 2-1500 E-FORCE2

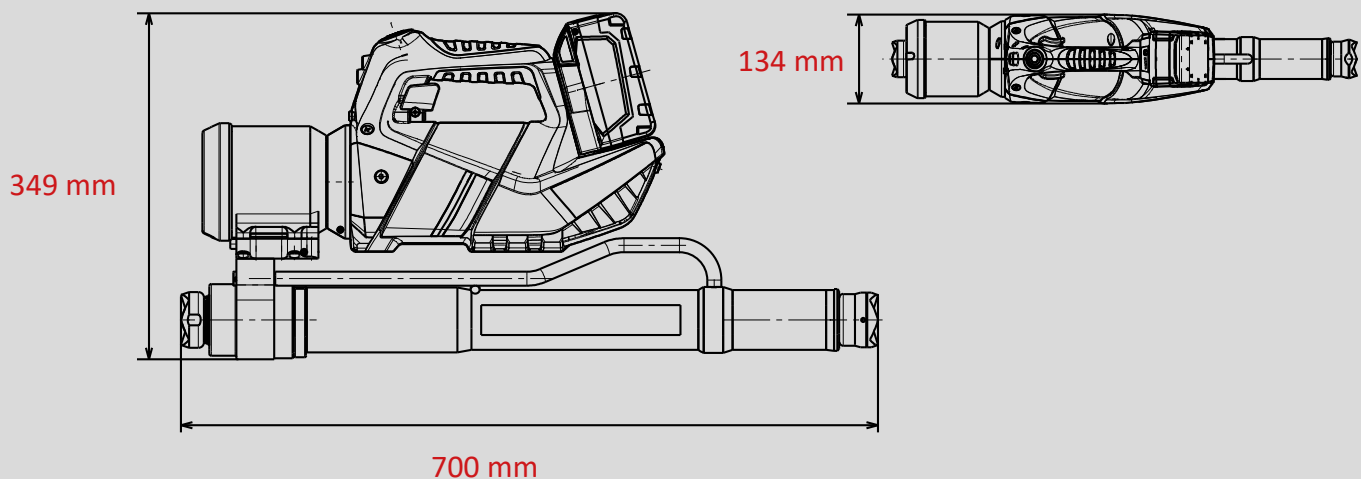
**E FORCE 3**

Part no.  
**1081519**



## Technical specifications:

Closed length (retracted)	700 mm
Final length (extended)	1500 mm
Stroke stage 1 / stroke stage 2	428 / 372 mm
Force stage 1 / stroke stage 2	108,0 / 62,0 kN
Weight (ready for use))	21,4 kg
Dimensions (LxWxH)	700 x 134 349 mm
Nominal pressure	550 bar
EN classification (EN 13204)*	TR108/428-62/372-21,4-E-I



\* According to EN 13204. Images are non-binding. We reserve the right to technical modifications.  
60003709 (200061, D, ALL, 11.02.2020)