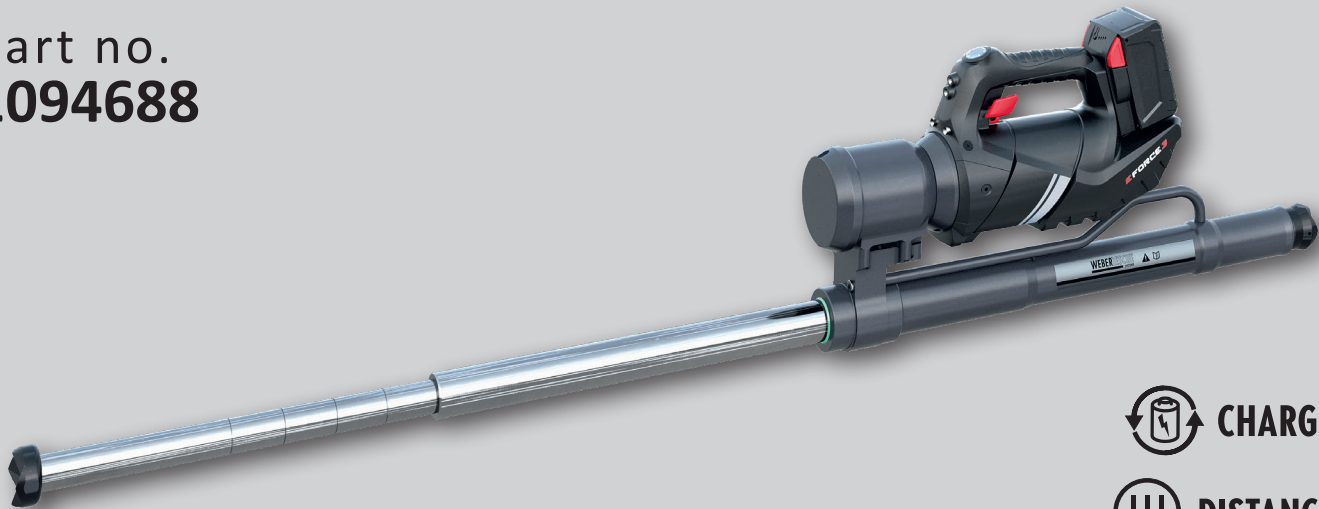


BATTERY-TELESCOPIC CYLINDER RZT 2-1500 E-FORCE3

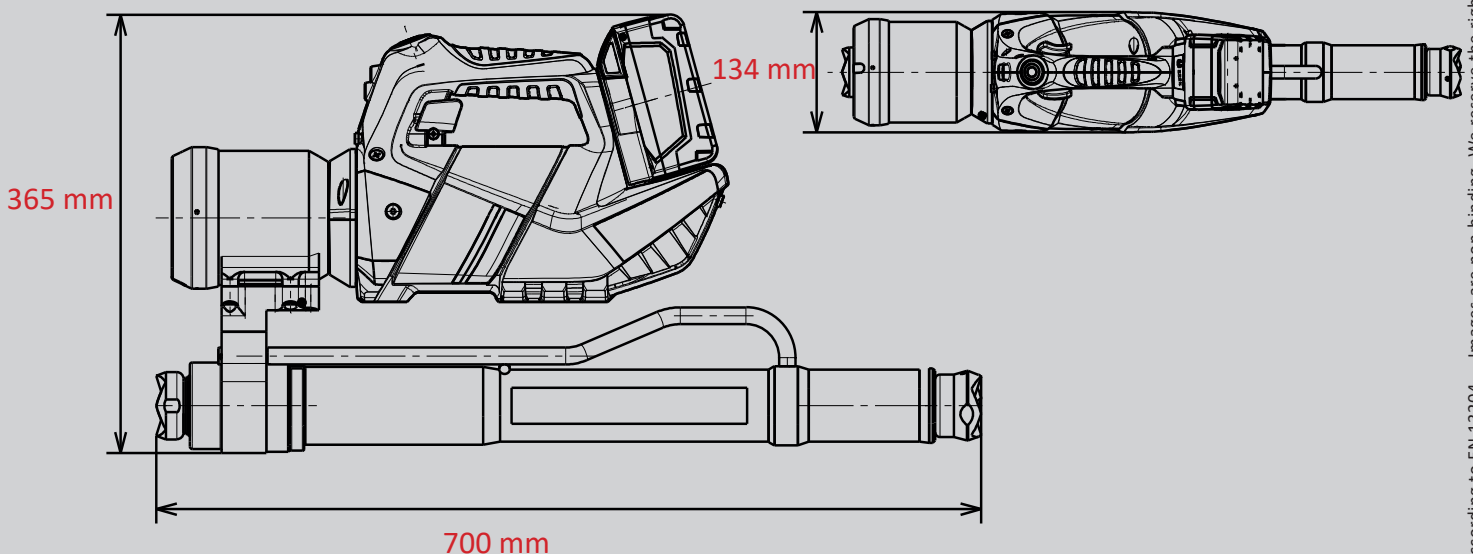
E FORCE 3

Part no.
1094688



Technical specifications:

Closed length (retracted)	700 mm
Final length (extended)	1500 mm
Stroke stage 1 / stroke stage 2	428 / 372 mm
Force stage 1 / stroke stage 2	108,0 / 62,0 kN
Weight (ready for use))	21,7 kg
Dimensions (LxWxH)	700 x 134 365 mm
Nominal pressure	550 bar
EN classification (EN 13204)*	TR108/428-62/372-21,7



*According to EN 13204. Images are non-binding. We reserve the right to technical modifications.
04/2024A