

Cutter RSC F7 E-FORCE3

Part no.
1102153



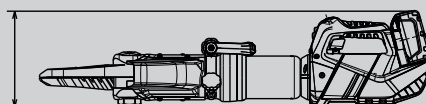
E FORCE 3

-  FORGED
-  360° HANDLE
-  SINGLE
-  X-CHANGE
-  PUSH CONTROL

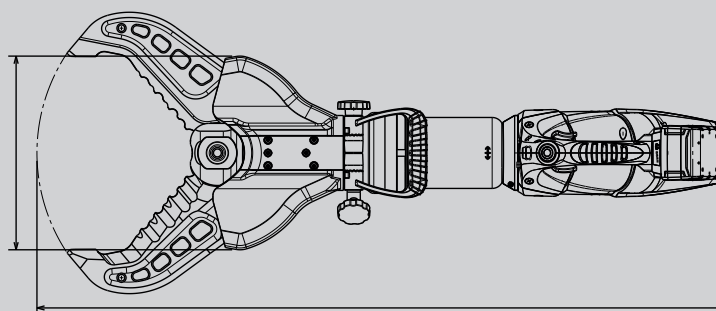
Technical data:

Opening width	300 mm
Weight (ready to use)	26,9 kg
Dimensions (LxWxH)	1049 x 295 x 241 mm
Nominal pressure	700 bar
EN cutting class (EN 13204)	CC268K-26,9
EN cutting performance (EN 13204)	1K-2K-3K-4K-5K
NFPA cutting class (NFPA 1936)	A9-B9-C9-D9-E9-F7

241 mm



295 mm



1049 mm

WEBER-HYDRAULIK GMBH

Heilbronner Straße 30
74363 Güglingen, Germany
Phone +49 7135 71-10270
info@weber-rescue.com

Emil Weber Platz 1
4460 Losenstein, Austria
Phone +43 7255 6237-120

Images are non-binding. We reserve the right to technical modifications.
2022B, 10/2022