

# Cutter RSC 190 PLUS SMART-FORCE

Part no.  
**1101550**

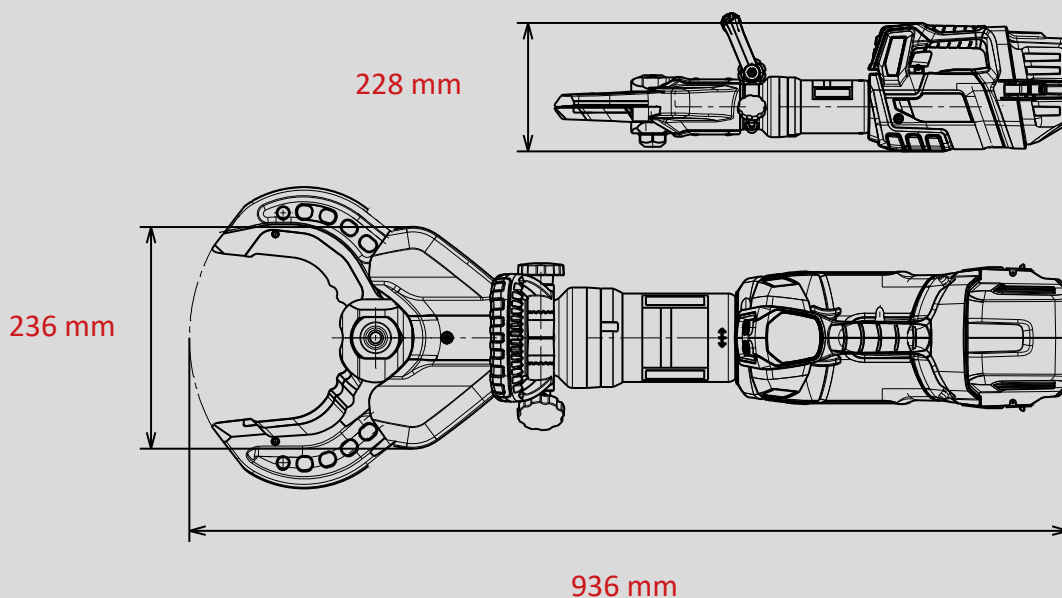
**SMART  
FORCE**  
MORE THAN A RESCUE TOOL.



-  **POW3R PUMP**
-  **CONNECT**
-  **FORGED**
-  **360° HANDLE**
-  **PLUS**
-  **LED LIGHTS**
-  **UNDERWATER**

## Technical data:

Opening width	187 mm
Weight (ready to use)	22,8 kg
Dimensions (LxWxH)	936 x 236 x 228 mm
Nominal pressure	700 bar
EN cutting class (EN 13204)	BC187K-22,8
EN cutting performance (EN 13204)	1K-2K-3K-4K-5K
NFPA cutting class (NFPA 1936)	A8-B9-C7-D9-E9-F4



### WEBER-HYDRAULIK GMBH

Heilbronner Straße 30  
74363 Güglingen, Germany  
Phone +49 7135 71-10270  
info@weber-rescue.com

Emil Weber Platz 1  
4460 Losenstein, Austria  
Phone +43 7255 6237-120

Images are non-binding. We reserve the right to technical modifications.  
2023A, 01/2023