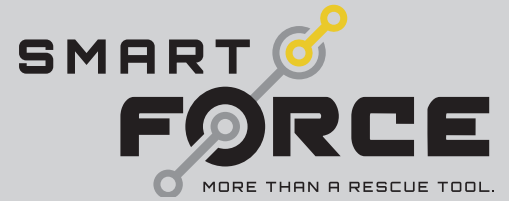


# Cutter RSC 190 SMART-FORCE

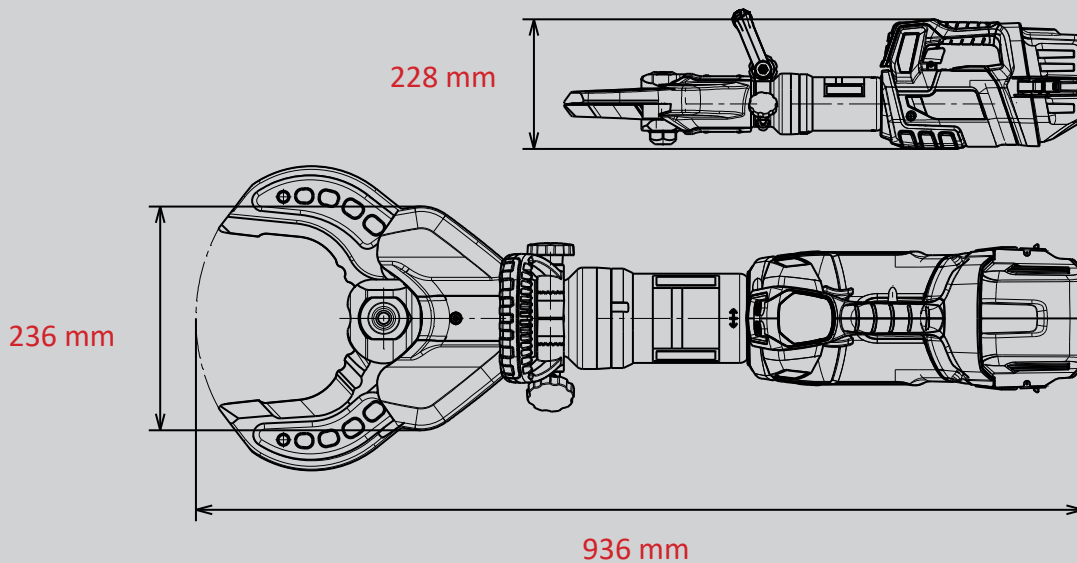
Part no.  
**1101549**



-  **18V BATTERY**
-  **POW3R PUMP**
-  **CONNECT**
-  **FORGED**
-  **360° HANDLE**
-  **LED LIGHTS**
-  **UNDERWATER**

## Technical data:

Opening width	185 mm
Weight (ready to use)	21,7 kg
Dimensions (LxWxH)	936 x 236 x 228 mm
Nominal pressure	700 bar
EN cutting class (EN 13204)	BC187K-21,7
EN cutting performance (EN 13204)	1K-2K-3K-4K-5K
NFPA cutting class (NFPA 1936)	A8-B9-C7-D9-E9-F4



### WEBER-HYDRAULIK GMBH

Heilbronner Straße 30  
74363 Güglingen, Germany  
Phone +49 7135 71-10270  
info@weber-rescue.com

Emil Weber Platz 1  
4460 Losenstein, Austria  
Phone +43 7255 6237-120

Images are non-binding. We reserve the right to technical modifications.  
2022A, 05/2022