

CUTTER RSU 180 PLUS E-FORCE3

E-FORCE3

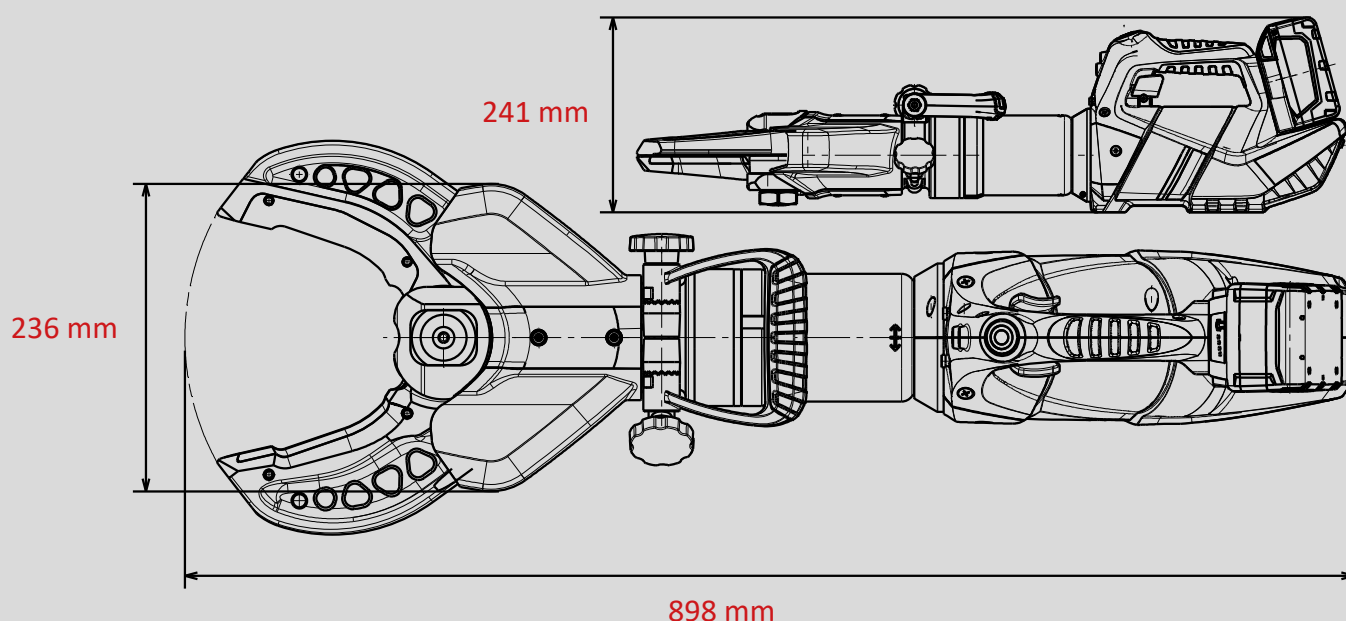
Part no.
1093512



-  **CHARGE**
-  **FORGED**
-  **HANDLE**
-  **PLUS**
-  **SPEED CONTROL**
-  **X-CHANGE**
-  **ULTIMATE**

Technical data:

Opening width	185 mm
Weight (ready for use)	20,6 kg
Dimensions (LxWxH)	898 x 236 x 241 mm
Nominal pressure	700 bar
EN classification (EN 13204)	BC185J-20,6
EN cutting class (EN 13204)	1J-2K-3K-4K-5K
NFPA cutting class (NFPA 1936)	A8-B9-C7-D9-E9-F4



Images are non-binding. We reserve the right to technical modifications.
60004845 (-, -, ALL, 22.01.2020)

WEBER-HYDRAULIK GMBH
Heilbronner Straße 30
74363 Güglingen/Deutschland
Fon +49 7135/71-10270
Fax +49 7135/71-10396
info@weber-rescue.com

Emil Weber Platz 1
4460 Losenstein/Österreich
Fon +43 7255/6237-120
Fax +43 7255/6237-12461
info@weber-rescue.com

WEBERRESCUE
SYSTEMS
www.weber-rescue.com