

CUTTER RSU 180 PLUS

Part no.
1093279



FORGED



360° HANDLE



PLUS



PUSH CONTROL



SINGLE



X-CHANGE

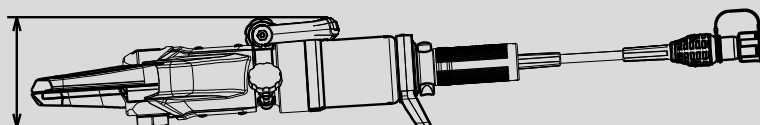


ULTIMATE

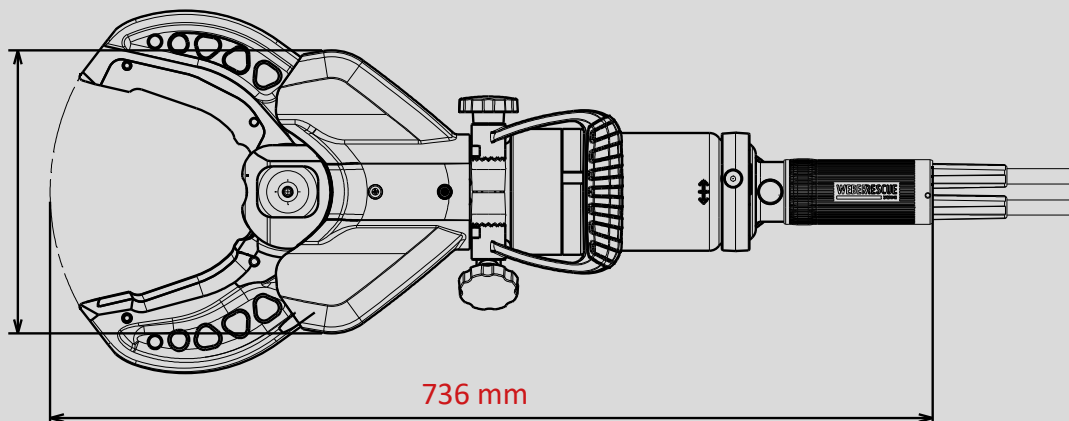
Technical data:

Opening width	185 mm
Weight (ready for use)	16,7 kg
Required oil volume	0,2 l
Dimensions (LxWxH)	737 x 236 x 159 mm
Nominal pressure	700 bar
EN classification (EN 13204)	BC185J-16,7
EN cutting class (EN 13204)	1J-2K-3K-4K-5K
NFPA cutting class (NFPA 1936)	A8-B9-C7-D9-E9-F4

159 mm



236 mm



736 mm

Images are non-binding. We reserve the right to technical modifications.
60004803 (190581, A, ALL, 26.06.2019)