

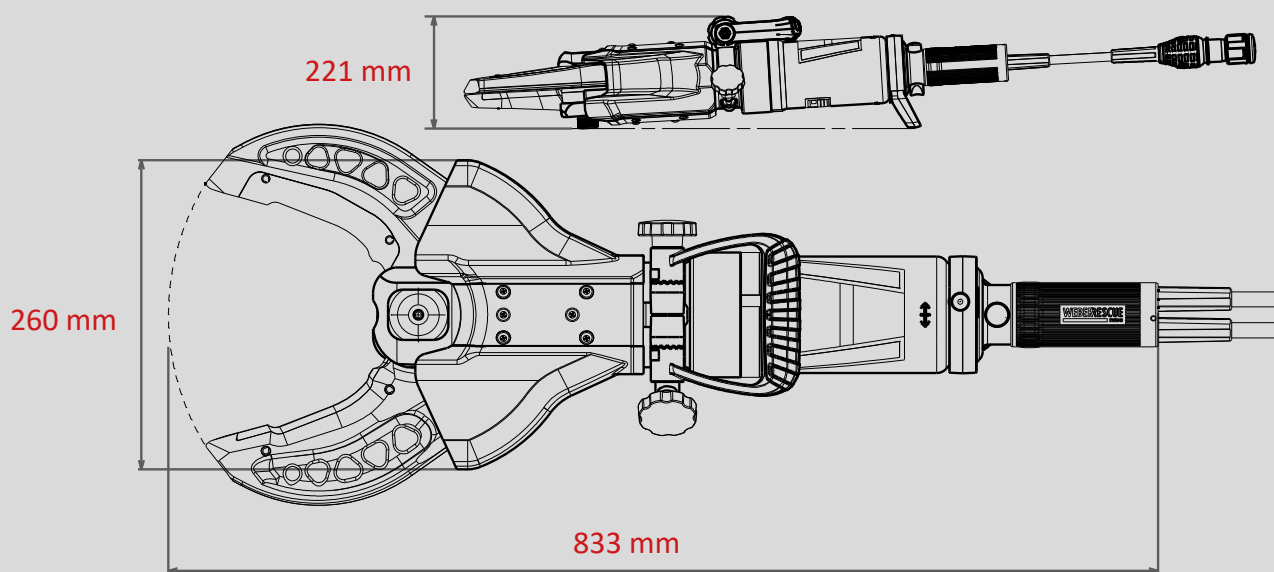
CUTTER RSU 210 PLUS

Part no.
1093298



Technical data:

Opening width	210 mm
Weight (ready for use)	19,6 kg
Required oil volume	0,3 l
Dimensions (LxWxH)	833 x 260 x 221 mm
Nominal pressure	700 bar
EN classification (EN 13204)	CC200K-19,6
EN cutting class (EN 13204)	1K-2K-3K-4K-5K
NFPA cutting class (NFPA 1936)	A8-B9-C8-D9-E9-F4



Images are non-binding. We reserve the right to technical modifications.
60004805 (190581, A, ALL, 26.06.2019)