

CUTTER RSX 105

Part no.
1096350



 **FORGED**

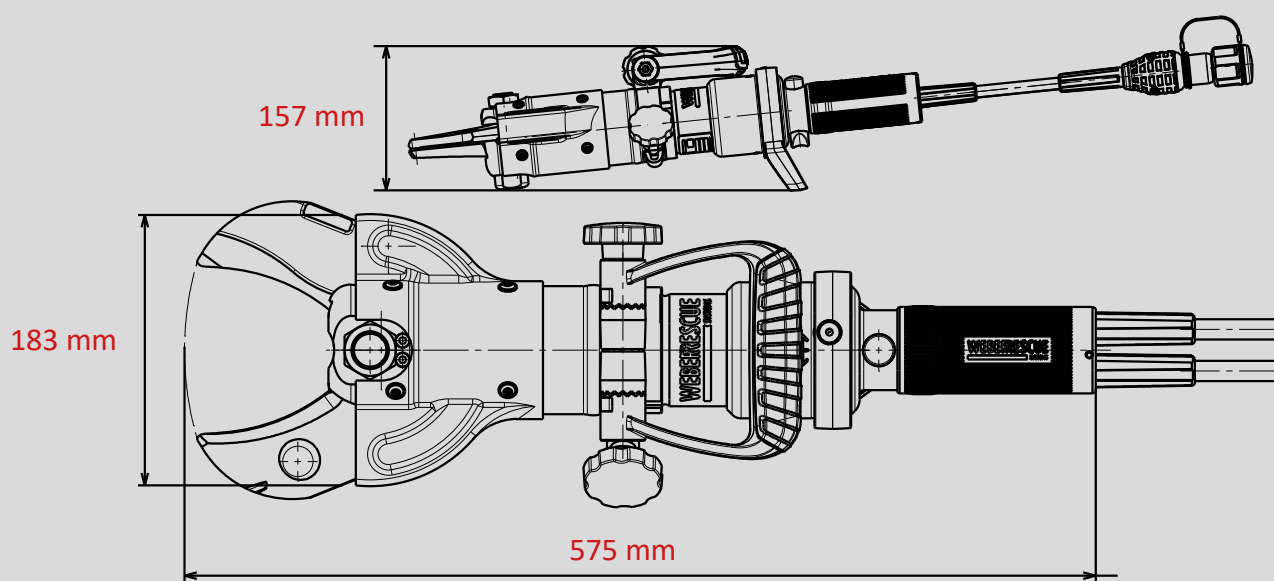
 **360° HANDLE**

 **PUSH CONTROL**

 **SINGLE**

Technical data:

Opening width	100 mm
Weight (ready for use)	9,2 kg
Required oil volume	0,1 l
Dimensions (LxWxH)	575 x 183 x 157 mm
Nominal pressure	700 bar
EN classification (EN 13204)	AC100D-9,2
EN cutting class (EN 13204)	1E-2E-3E-4D-5G
NFPA cutting class (NFPA 1936)	A5-B4-C5-D6-E6-F2



Images are non-binding. We reserve the right to technical modifications.
60005242 (-, -, ALL, 09.06.2020)