

# CUTTER RSX 185 ALL NINE

Part no.  
**1093248**




 **FORGED**

 **360° HANDLE**

 **PUSH CONTROL**

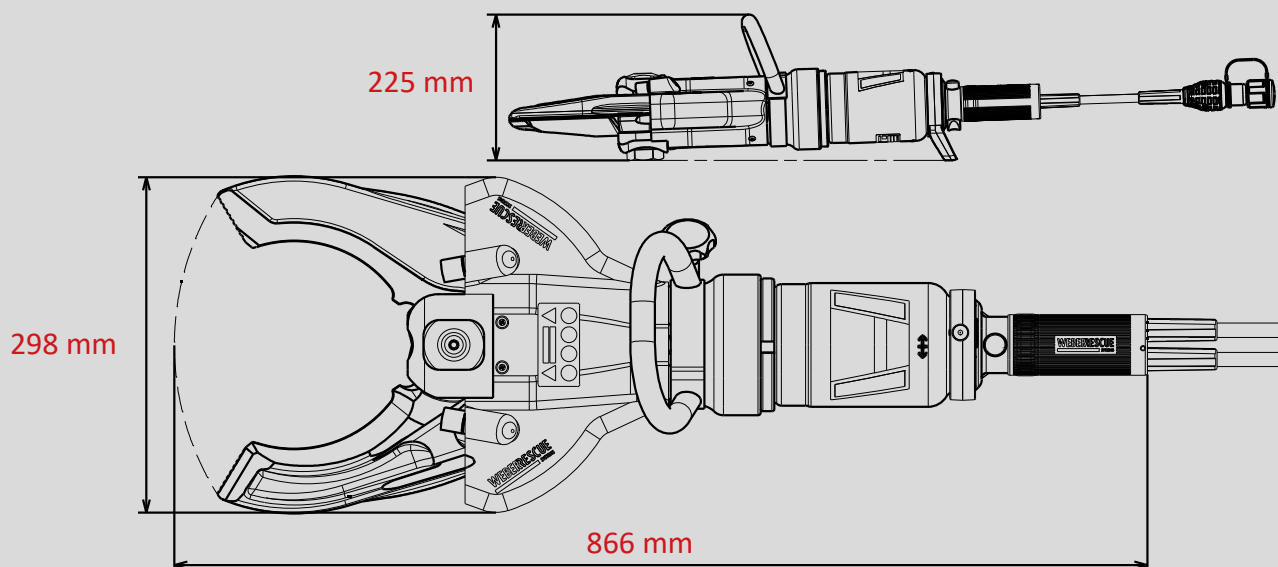
 **SINGLE**

 **X-CHANGE**

 **XTREME**

## Technical data:

Opening width	265 mm
Weight (ready for use)	22,4 kg
Required oil volume	0,2 l
Dimensions (LxWxH)	866 X 298 X 225 mm
Nominal pressure	700 bar
EN classification (EN 13204)	CC240K-22,4
EN cutting class (EN 13204)	1K-2K-3K-4K-5K
NFPA cutting class (NFPA 1936)	A9-B9-C9-D9-E9-F5



Images are non-binding. We reserve the right to technical modifications.  
60004798 (200778, B, ALL, 24.1.1.2020)