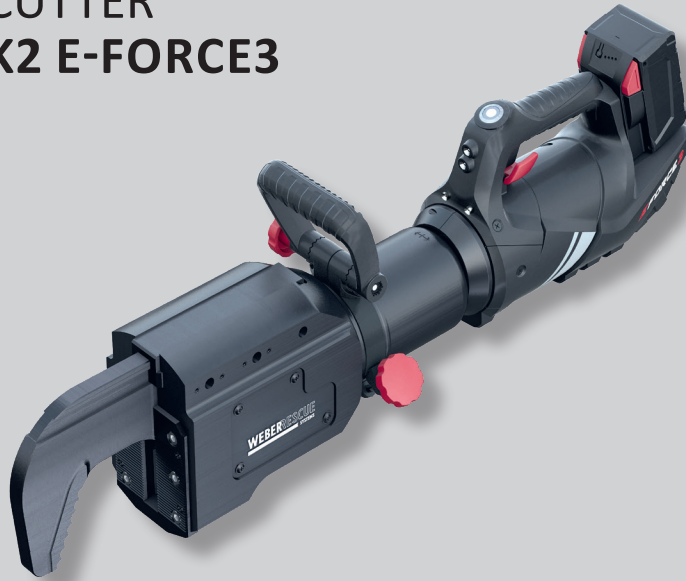


SPECIAL CUTTER C 120 MK2 E-FORCE3

Part no.
1105035

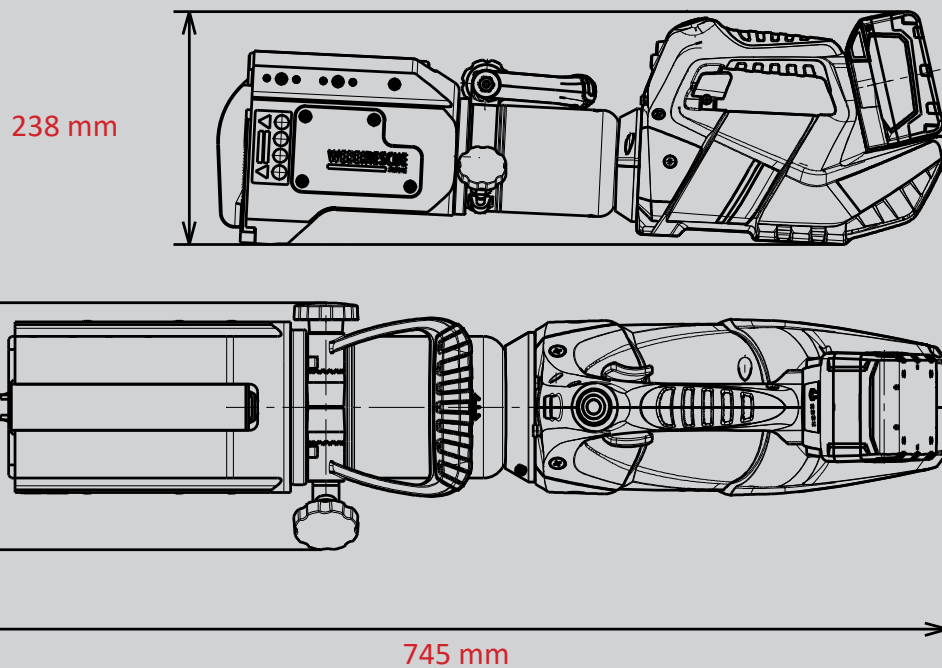


E-FORCE3

-  CHARGE
-  FORGED
-  360° HANDLE
-  SPEED CONTROL
-  LED LIGHTS

Technical data:

Opening width	120 mm
Weight (ready for use)	23,1 kg
Dimensions (LxWxH)	745 x 188 x 238 mm
EN cutting class (EN 13204)	AC120D-23,1
EN cutting performance (EN 13204)	1D-2D-3E-4F-5F
NFPA cutting class (NFPA 1936)	A4-B3-C5-D6-E6-F3



WEBER-HYDRAULIK GMBH

Heilbronner Straße 30
74363 Güglingen, Germany
Phone +49 7135 71-10270
info@weber-rescue.com

Emil Weber Platz 1
4460 Losenstein, Austria
Phone +43 7255 6237-120

Images are non-binding. We reserve the right to technical modifications.
10/2023A