

SPECIAL CUTTER C 120 MK2

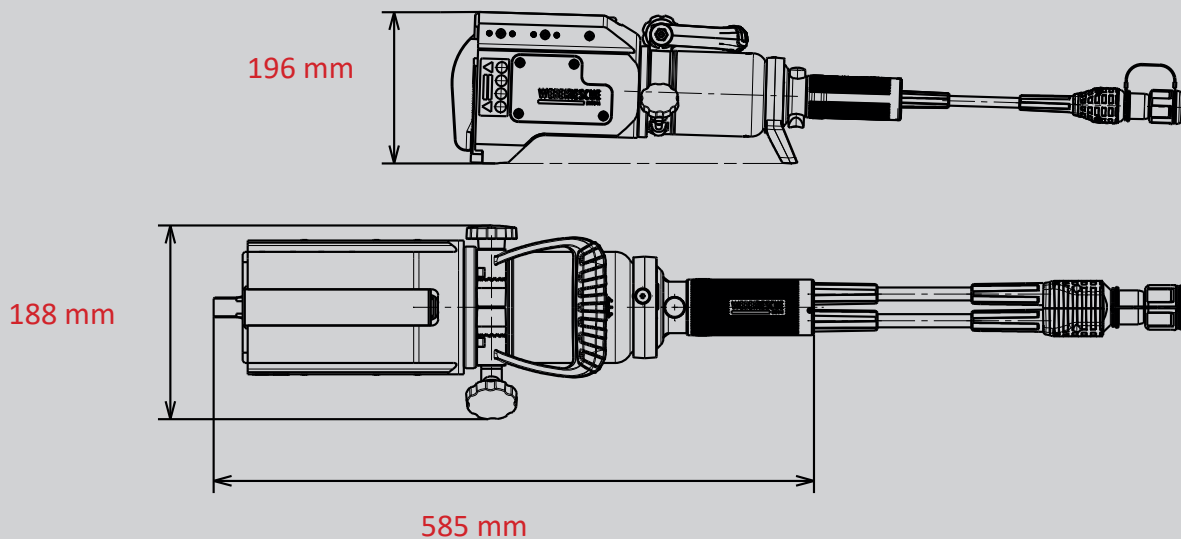
Part no.
1105034



-  **FORGED**
-  **HANDLE**
-  **SINGLE**
-  **X-CHANGE**
-  **PUSH CONTROL**

Technical data:

Opening width	120 mm
Weight	19,3 kg
Dimensions (LxWxH)	585 x 188 x 196 mm
EN cutting class (EN 13204)	AC120D-19,3
EN cutting performance (EN 13204)	1D-2D-3E-4F-5F
NFPA cutting class (NFPA 1936)	A4-B3-C5-D6-E6-F3



WEBER-HYDRAULIK GMBH

Heilbronner Straße 30
74363 Güglingen, Germany
Phone +49 7135 71-10270
info@weber-rescue.com

Emil Weber Platz 1
4460 Losenstein, Austria
Phone +43 7255 6237-120

Images are non-binding. We reserve the right to technical modifications.
10/2023A