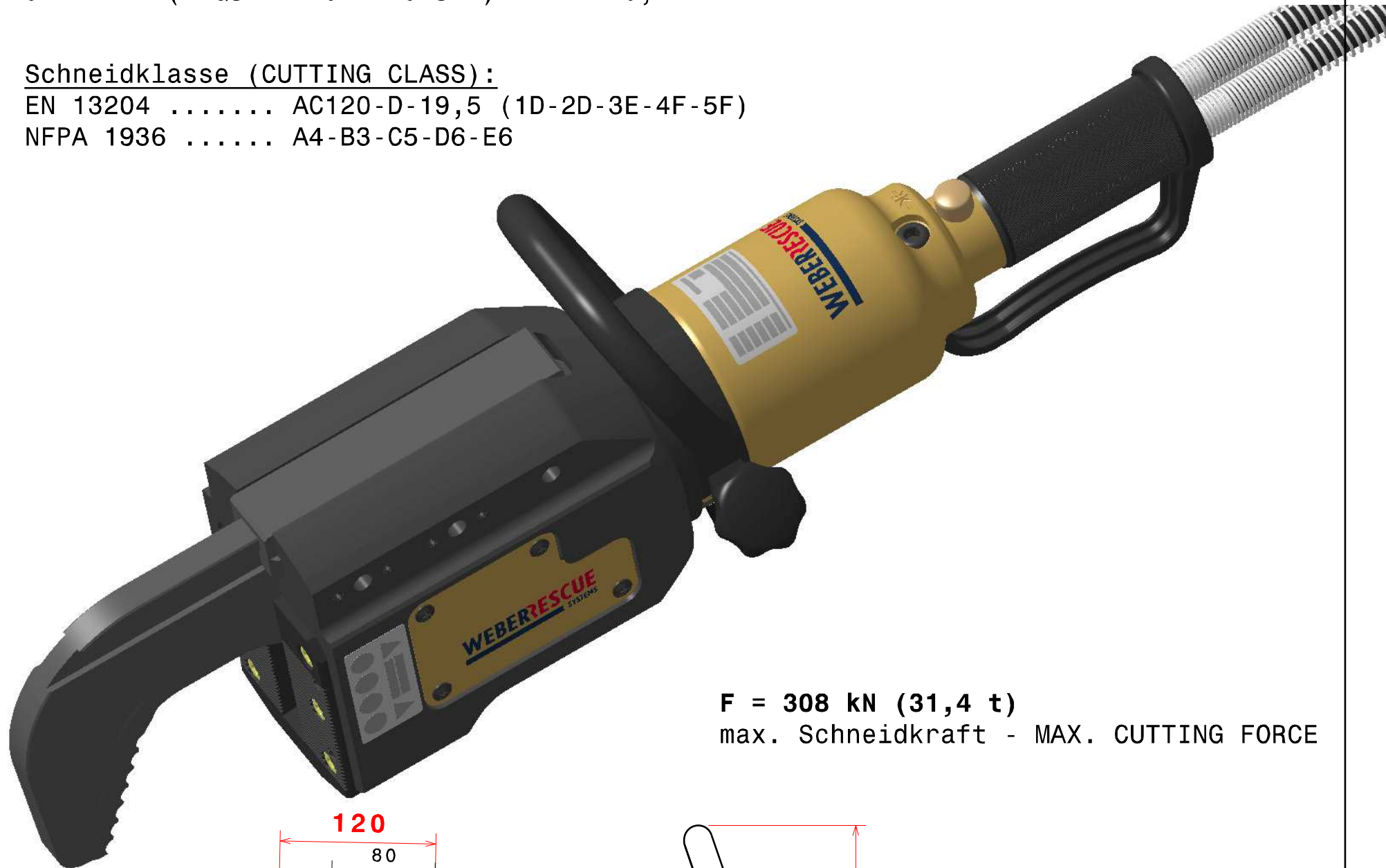


TECHN. DATEN (TECHNICAL DATA):

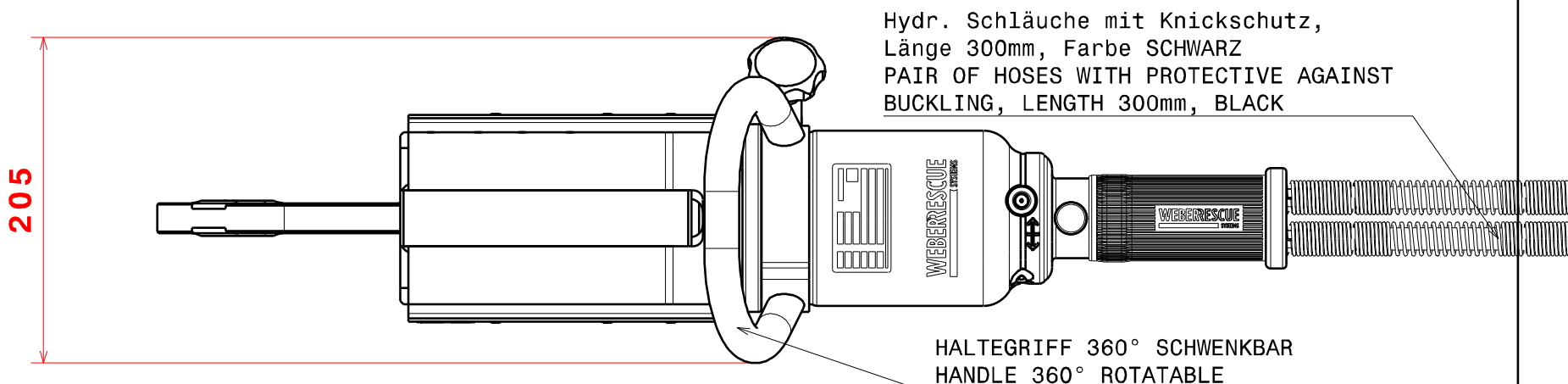
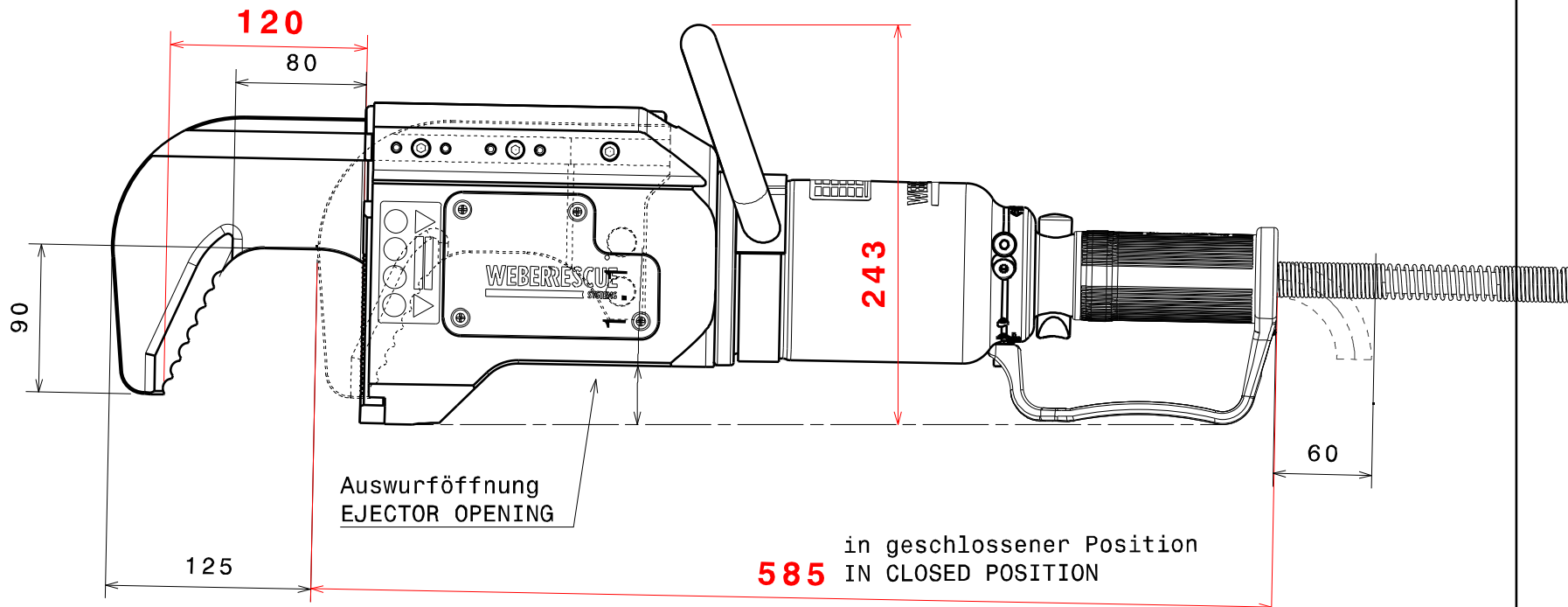
NENNDRUCK (NOMINAL PRESSURE) P_N 70 MPa (700bar)
 PRÜFDRUCK (TEST PRESSURE) P_p 84 MPa (840bar)
 GEWICHT (WEIGHT) 19,5kg
 (INKL. 0,3m SCHLÄUCHE U. KUPPLUNGEN; INCL. 0,3m HOSES AND COUPLINGS)
 ÖLBEDARF (REQUIRED OIL VOLUME) 0,1 l

Schneidklasse (CUTTING CLASS):

EN 13204 AC120-D-19,5 (1D-2D-3E-4F-5F)
 NFPA 1936 A4-B3-C5-D6-E6



F = 308 kN (31,4 t)
 max. Schneidkraft - MAX. CUTTING FORCE



GEPR. JSC
CHECK.

GEZ. KST
DRAW. DAT. 24.10.07

KST
13.03.17

GEAEND. MODIF.
AEND.-DATUM MOD.-DATE

170155
E

AEND.-NR.
MOD.-NO.
REVISION
REVISION

TOLERANZEN (TOLERANCES)	LAENGENMASS (LENGHT)mm	...50	50...250	250...1000	1000...	WINKELMASS (ANGLE)	...180°
GEWICHT (WEIGHT) ±2%	TOLERANZ (TOLERANCE)mm	±1,5	±2,0	±3,0	±5,0	TOLERANZ (TOLERANCE)	±10°