





# POWERWEDGE SPK 250 MK2 E-FORCE3

# E FORCE 3

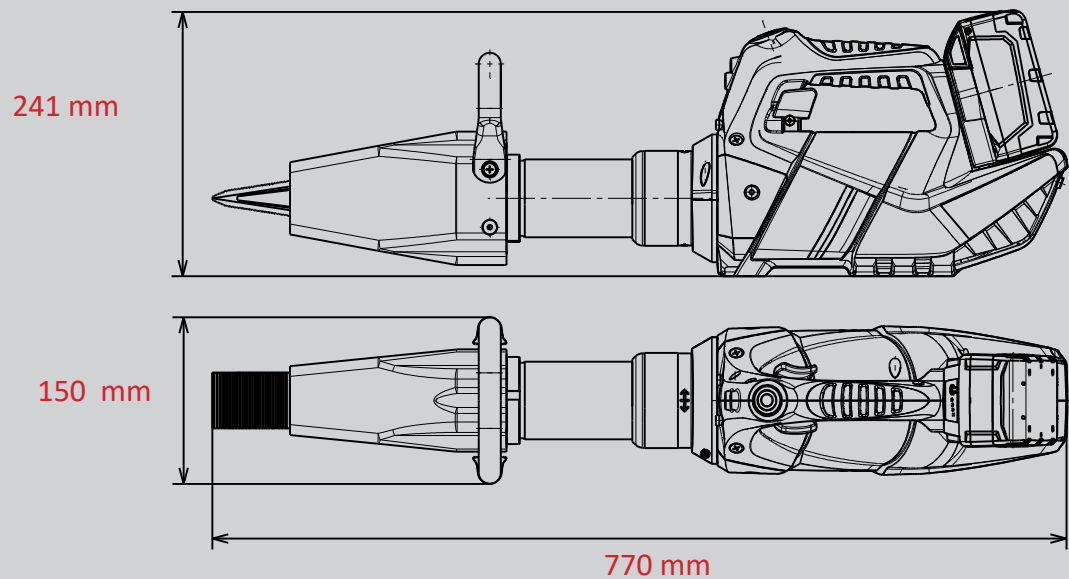
Part no.  
**1101981**



-  CHARGE
-  360° HANDLE
-  SPEED CONTROL
-  LED LIGHTS

## Technical data:

Spreading width	61 mm
Spreading force	248 kN
Weight (ready for use)	12,9 kg
Dimensions (LxWxH)	770 x 150 x 241 mm



**WEBER-HYDRAULIK GMBH**  
Heilbronner Straße 30  
74363 Güglingen/Deutschland  
Fon +49 7135/71-10270  
Fax +49 7135/71-10396  
info@weber-rescue.com

Emil Weber Platz 1  
4460 Losenstein/Österreich  
Fon +43 7255/6237-120  
Fax +43 7255/6237-12461  
info@weber-rescue.com

Images are non-binding. We reserve the right to technical modifications.  
10/2023A