

# POWERWEDGE SPK 250 MK2 SMART-FORCE



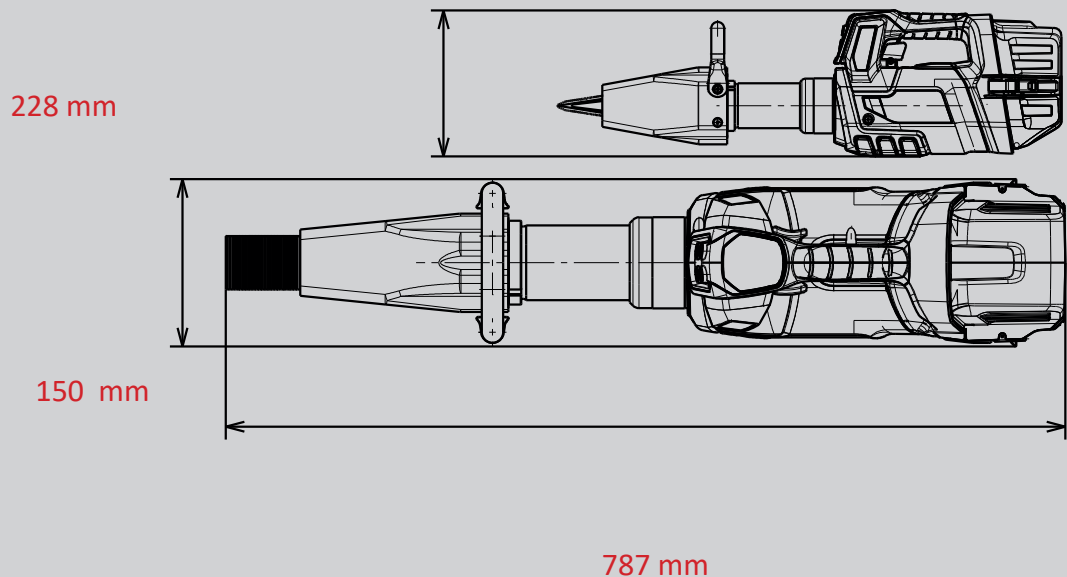
Part no.  
**1106999**



- 18V BATTERY
- POW3R PUMP
- CONNECT
- LED LIGHTS
- UNDERWATER

## Technical data:

|                        |                    |
|------------------------|--------------------|
| Spreading width        | 61 mm              |
| Spreading force        | 248 kN             |
| Weight (ready for use) | 13,8 kg            |
| Dimensions (LxWxH)     | 787 x 150 x 228 mm |



**WEBER-HYDRAULIK GMBH**  
Heilbronner Straße 30  
74363 Güglingen/Deutschland  
Fon +49 7135/71-10270  
Fax +49 7135/71-10396  
info@weber-rescue.com

Emil Weber Platz 1  
4460 Losenstein/Österreich  
Fon +43 7255/6237-120  
Fax +43 7255/6237-12461  
info@weber-rescue.com

Images are non-binding. We reserve the right to technical modifications.  
05/2024A