

# BATTERY-SPREADER SP 50 BS E-FORCE3

# E FORCE 3

Part no.  
**1091735**



**CHARGE**



**GRIP**



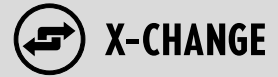
**360° HANDLE**



**PEELING**



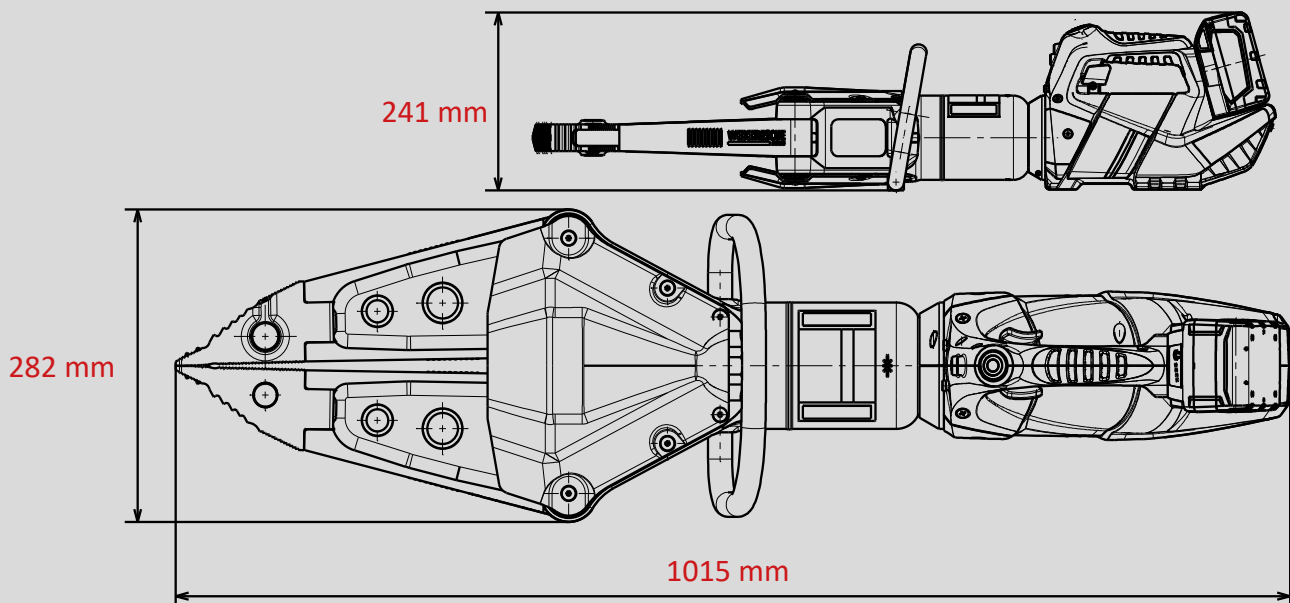
**SPEED CONTROL**



**X-CHANGE**

## Technical specifications:

Spreading width	805 mm
Spreading force (in the working area)	50 - 501 kN
Max. squeezing force	144,0 kN
Pulling width	680 mm
Max. pulling force	67 kN
Weight (ready for use)	20,9kg
Dimensions (LxWxH)	1015 x 282 x 241 mm
Nominal pressure	700 bar
EN classification (EN 13204)	BS50/805-20,9



Images are non-binding. We reserve the right to technical modifications.  
60004860 (-, -, ALL, 21.01.2020)