

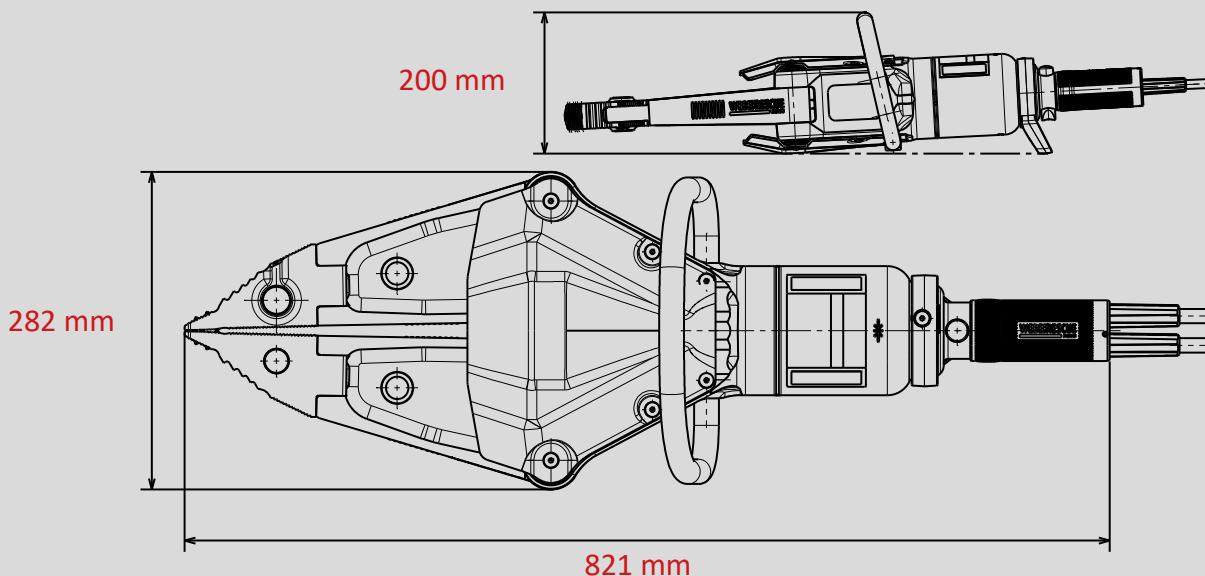
# SPREADER SP 54 AS

Part no.  
**1089800**



## Technical specifications:

Spreading width	735 mm
Spreading force (in the working area)	55 - 501 kN
Max. squeezing force	144,0 kN
Pulling width	620 mm
Max. pulling force	70 kN
Weight	16,8 kg
Oil demand	0,2 l
Dimensions (LxWxH)	821 x 282 x 200 mm
Nominal pressure	700 bar
EN classification (EN 13204)	AS55/735-16,8



Images are non-binding. We reserve the right to technical modifications.  
60004485 (-, -, ALL, 1.1.10.2019)