

SPREADER SP 84 CS

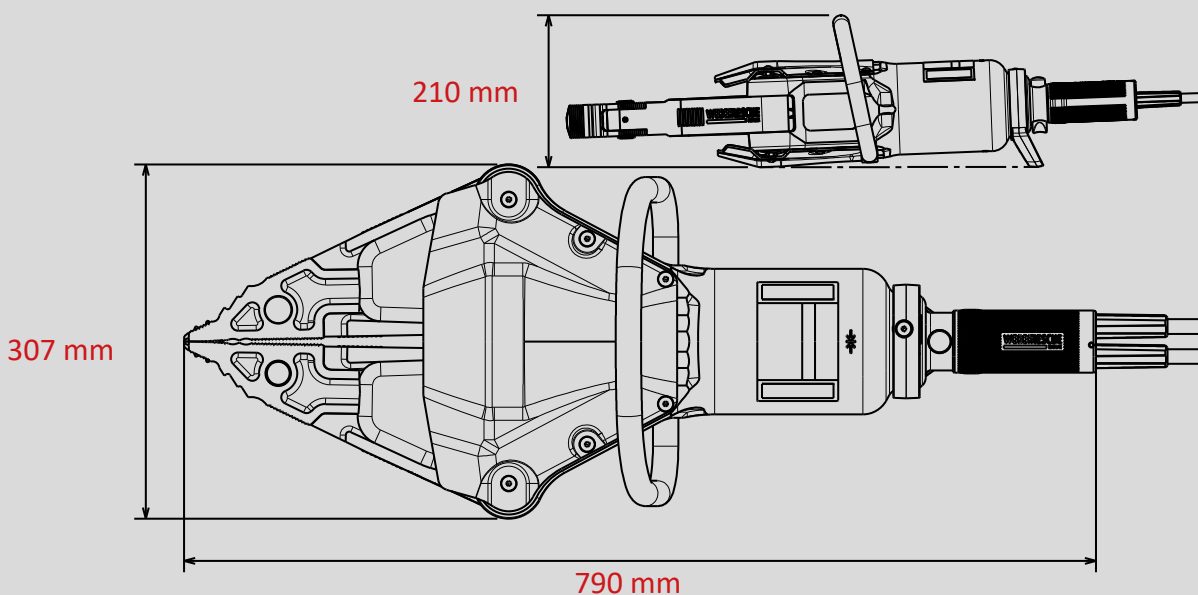
Part no.
1093904



-  **GRIP**
-  **PEELING**
-  **PUSH CONTROL**
-  **SINGLE**
-  **X-CHANGE**

Technical specifications:

Spreading width	660 mm
Spreading force (in the working area)	82 - 680 kN
Max. squeezing force	129,0 kN
Pulling width	540 mm
Max. pulling force	93 kN
Weight	19,8 kg
Oil demand	0,3 l
Dimensions (LxWxH)	790 x 307 x 210 mm
Nominal pressure	700 bar
EN classification (EN 13204)	CS82/660-19,8



Images are non-binding. We reserve the right to technical modifications.
60004898 (-, -, ALL, 1.1.10.2019)